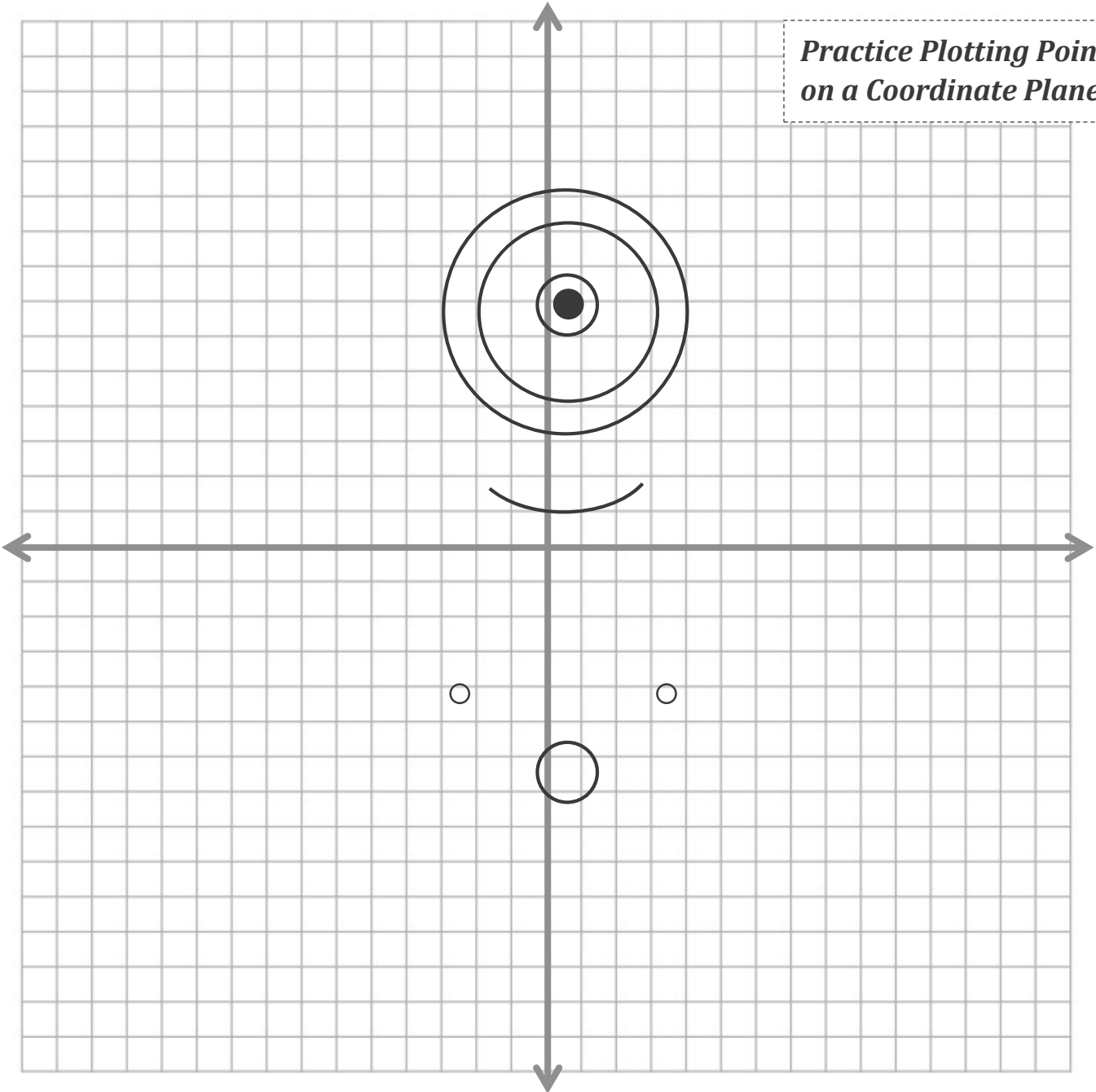


**Practice Plotting Points
on a Coordinate Plane**



Graph these points in order to create the picture of a much-beloved fictional character.

Shape 1:	Shape 3:	Shape 4:	Shape 5:	Shape 6:
(4, 6)	(6, -2) (7, -9)	(-5, -2) (-6, -10)	(3, -13) (5, -10) (-1, -13)	(-5, -10)
(6, 6)	(3, -4) STOP	(-2, -4) STOP	(-2, -13) (6, -8) STOP	(-5, 7)
(6, 7)	(3, -5)	(-2, -5)	(-2, -14) (6, -7)	(-4, 10)
(4, 7)	(6, -3)	(-5, -3)	(0, -14) (4, -8)	(-3, 11)
STOP	(7, -8)	(-5, -4)	(1, -13) (4, -3)	(-1, 12)
	(7, -9)	(-6, -6)	(1, -11) (2, -4)	(2, 12)
Shape 2:	(8, -11)	(-6, -13)	(1, -13) (-1, -4)	(4, 11)
(-3, 7)	(7, -12)	(-4, -13)	(2, -14) (-3, -3)	(5, 10)
(-5, 7)	(6, -12)	(-3, -12)	(4, -14) (-3, -8)	(6, 8)
(-5, 6)	(5, -11)	(-4, -11)	(4, -13) (-5, -7)	(6, -7)
(-3, 6)	(6, -11)	(-5, -11)	(3, -13) (-4, -10)	STOP
STOP	(6, -9)	(-5, -10)	(3, -12) (-2, -11)	